

GOT VALVE PROBLEMS ?



GET A STAINLESS FIX

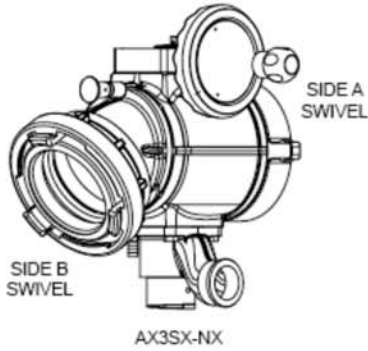
TFT Ball Intake Valves

Draft Rated Capacity - AX series



SHIPMAN'S
Fire Equipment Co., Inc.





AX Series - Jumbo Ball Intake valve has a huge 5-1/4 inch diameter waterway. Friction loss is 3 psi at 2000 gpm. Designed for pressure or drafting service.

Available with or without a swiveling intake elbow. Swivel elbow allows hose connections in any direction with minimal kink and coupling stress.

All components on the wet side of the valve are made of stainless steel, eliminating corrosion problems.

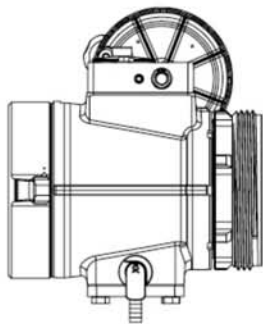
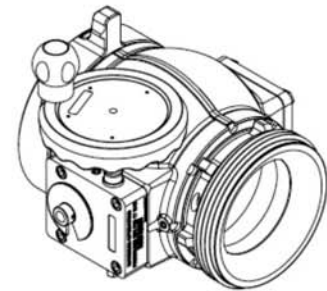
Unique position indicator shows valve position.

Handwheel can be left or right.

Handwheel can be oriented top, bottom or side.

Motorized electric version is ideal for top-mount pump operator's station.

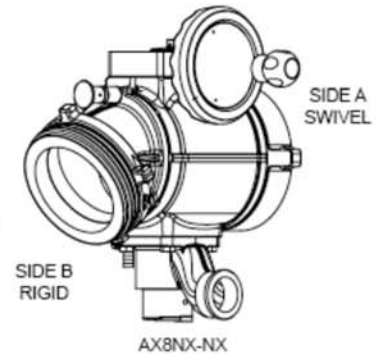
Available pressure relief valve has four discharge directions.



Easily draft 1500 GPM

Replace leaky, corroded wafer valves

Large waterway valve for ladders and platforms



INTAKE VALVE PRESSURE LOSS

